

Job Name: _____
 Location: _____
 Contact #: _____



Specifications

Model

- 405372 – Polished Chrome Finish

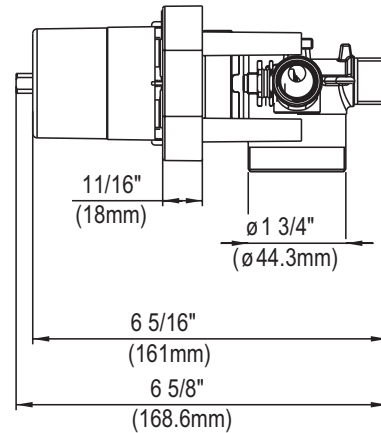
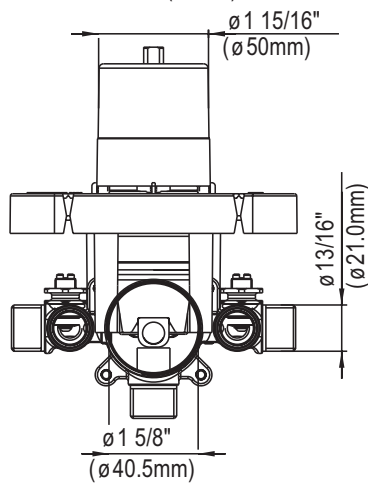
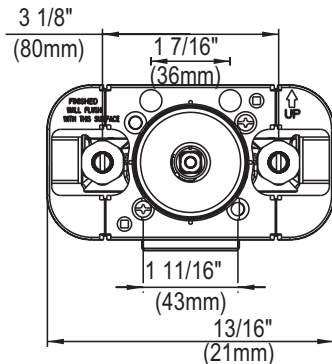
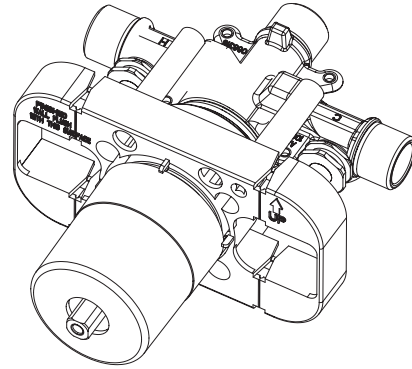
Description

- Ceramic cartridge
- Pressure balance
- With easy access stops and scald protector
- Back to back installation available
- 100% Factory pressure tested

Standards

- ASME A112.18.1M/A112.18.1
- IAPMO/cUPC

Pressure Balance Rough-In Valve



Technical Support

888-328-2383
 Manufacturer model#A661085

Warranty Parts List

Pressure Balance Rough-In Valve

#	Description	Part #
1	Screw (3/16" -24 x 2-3/16" L)	A608519
2	Cap	A127223
3 ◊	Retainer Nut	A103310-Z
4	Pressure Balance Cartridge	A507190
5	Cartridge	A507040
6	Plug	A028452

◊ Available in all finishes on the previous page

